

Spare Parts for Valves and Fill Cluster

Type 50155 - Anti-icing shield



for Cryogenic-Globe Valves with 4 yoke rods

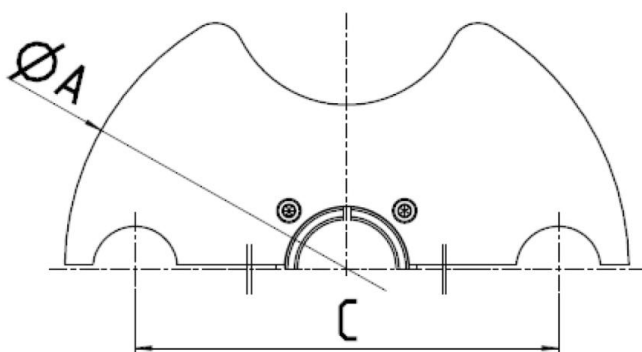
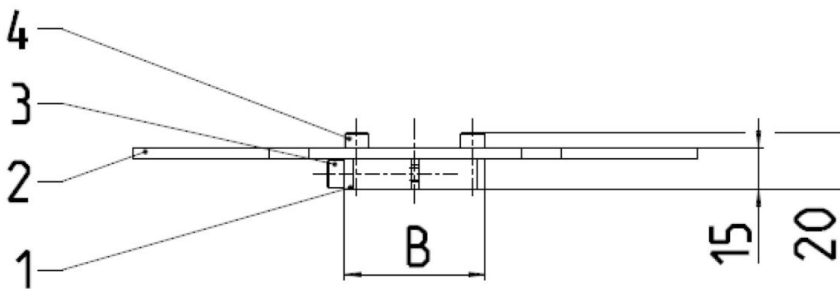
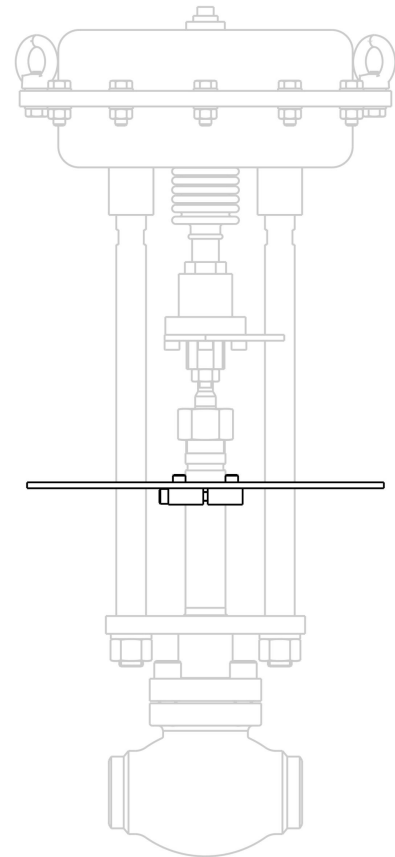
consisting of:

- 1x holder 2-piece 1.4404
- 1x Anti-icing device 2-piece AlMgSi0,5
- 4x Countersunk screw M5x12 A4-70
- 2x Cylinder head screw M6x35 A4-70

Part No. 50155.X.0441

suitable for:

Type	Nominal size
01323	DN150 - DN200
01343	DN150 - DN200
01643	DN150 - DN200
01743	DN150 - DN200
01843	DN150 - DN200
03323, 03343	DN150 - DN200



Type 50155	Technical data		
Nominal size	DN	150	200
Dimension code	.X.	0012	0012
Plate diameter	A	350	350
Holder length	B	80	80
Yoke rods distance	C	250	250
Weight	ca. kg	1.31	1.31

Dimensions in mm.