

# Safety Valves

## Type 50288 - Locking sleeve connection

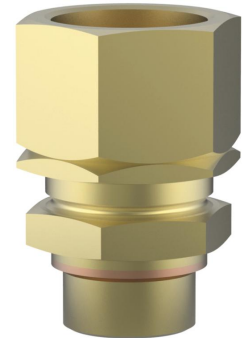


### Clamping sleeve screw connection for safety valves, PN50

for positioning the outlet of safety valves  
soft seated (flat), metal to metal seated (conical) or ball-shaped  
"cleaned and degreased for oxygen service"

### Part No. 50288.X.X

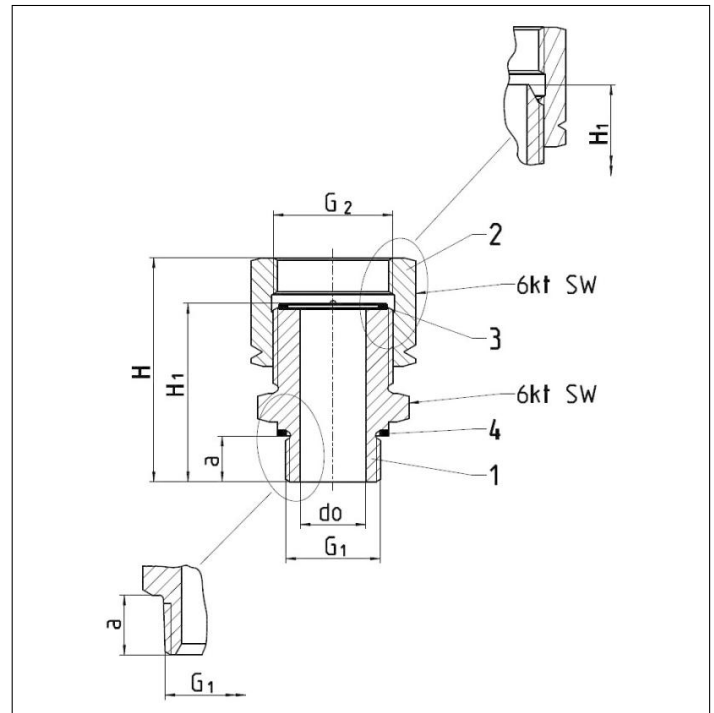
for part no. details please see next page



### Applications:

Provided as additional device for changeover valves to position the outlet of a safety valve in a favoured direction.

Materials	DIN EN	ASME/ASTM
see next page		





### Available types of the locking sleeve connection (flat)

Size inlet (G1)	Size outlet (G2)	Orifice (d <sub>0</sub> )	Height (a)	Height (H)	Height (H1)	Wrench size across flats (SW)	Material connection (1)	Material sleeve (2)	Material Seal (3)	Material Seal (4)	Part No.
G 1/2	G 1/2	12	11.5	60	46.5	27	CW614N	CW614N	CW024A	CW024A/SF-Cu	50288.0030.0305
G 1/2	G 1/2	12	11.5	60	46.5	27	1.4301	CW614N	CW024A	CW024A/SF-Cu	50288.0030.0765
G 1/2	G 1/2	12	12	59.5	46	27	1.4301	1.4571	PCTFE	PTFE	50288.0145.0765
1/2 NPT	G 1/2	12	14	60	46.5	27	CW614N	CW614N	CW024A	N/A	50288.0054.0302
1/2 NPT	G 1/2	12	14	60	46.5	27	1.4301	CW614N	CW024A	N/A	50288.0054.0765
1/2 NPT	G 1/2	12	14	60	46.5	27	1.4301	1.4301	CW024A	N/A	50288.0060.0765
G 3/4	G 1/2	12	13.5	62	48.5	36	CW614N	CW614N	CW024A	CW024A	50288.0056.0302
R 3/4	G 1/2	12	20	65.5	52	30	1.4301	CW614N	CW024A	N/A	50288.0141.0765
R 3/4	G 1/2	16	20	65.5	52	30	1.4301	CW614N	CW024A	N/A	50288.0141.0302
G 3/4	G 3/4	16	13.5	78	59	36	CW614N	CW614N	CW024A	CW024A/SW-Cu	50288.0035.0305
G 3/4	G 3/4	16	13.5	76.5	58.5	36	CW614N/ nickel plated	CW614N	CW024A	CW024A	50288.0040.0700
G 3/4	G 3/4	16	13.5	76.5	58.5	36	1.4301	1.4571	PTFE	PTFE	50288.0038.0765
3/4 NPT	G 3/4	16	17	76.5	58.5	36	CW614N	CW614N	CW024A	N/A	50288.0005.0302
3/4 NPT	G 1	16	17	78.5	62.5	41	CW614N	CW614N	CW024A	N/A	50288.0006.0302
G 1	G 1/2	12	18	66.5	52.5	27/41	CW614N	CW614N	CW024A	CW024A	50288.0062.0302
G 1	G 3/4	16	16	80.5	62.5	41	CW614N	CW614N	CW024A	CW024A	50288.0061.0302
G 1	G 1	16	16	78.5	62.5	41	CW614N	CW614N	CW024A	CW024A	50288.0050.0302
1 NPT	G 1	16	21	78.5	62.5	41	CW614N	CW614N	CW024A	N/A	50288.0003.0305
G 1	G 1 1/4	23	16	78.5	62.5	46	CW614N	CW614N	CW024A	CW024A	50288.0047.0302
G 1 1/4	G 1 1/4	23	18	78.5	62.5	50	CW614N	CW614N	CW024A	CW024A	50288.0055.0302
G 1 1/2	G 1 1/2	23	20	82.5	66.5	55	CW614N	CW614N	CW024A	CW024A	50288.0146.0302
1 1/2 NPT	G 1 1/2	23	21	82.5	66.5	55	CW614N	CW614N	CW024A	N/A	50288.0004.0305

### Available types of the locking sleeve connection (cone)

Size inlet (G1)	Size outlet (G2)	Orifice (d <sub>0</sub> )	Height (a)	Height (H)	Height (H1)	Wrench size across flats (SW)	Material connection (1)	Material sleeve (2)	Material Seal (3)	Material Seal (4)	Part No.
G 1/2	G 1/2	13	11.5	61.5	48	27	CW614N	CW614N	N/A	CW024A/SF-Cu	50288.0001.0000
G 1/2	G 1/2	13	12	61.5	48	27	1.4571	1.4301	N/A	PTFE	50288.0049.0765
G 1/2	G 1/2	13	11.5	61.5	48	27	1.4571	CW614N	N/A	PTFE	50288.0043.0765
1/2 NPT	G 1/2	13	14	61.5	48	27	CW614N	CW614N	N/A	N/A	50288.0002.0000
1/2 NPT	G 1/2	13	14	61.5	48	27	1.4571	CW614N	N/A	N/A	50288.0002.0767
G 1/2	G 3/4	12	13	75	57	36	CW614N	CW614N	N/A	CW024A	50288.0007.0302
G 3/4	G 1/2	13	11.5	61.5	48	27/32	1.4571	CW614N	N/A	CW024A	50288.0045.0767
G 1	G 1/2	12	16	67	54	27/41	CW614N	CW614N	N/A	CW024A	50288.0072.0302

### Available types of the locking sleeve connection (ball)

Size inlet (G1)	Size outlet (G2)	Orifice (d <sub>0</sub> )	Height (a)	Height (H)	Height (H1)	Wrench size across flats (SW)	Material connection (1)	Material sleeve (2)	Material Seal (3)	Material Seal (4)	Part No.
G 1/2	G 1	12	17	82	66	41	CW614N	CW614N	N/A	CW024A	50288.0008.0302
G 1	G 1	18	16	82	66	41	CW614N	CW614N	N/A	CW024A	50288.0036.0302