

Accessories for Actuated Valves

Type 55177 - Weather protection hood



Weather protection hood

to protect valves against weather-related damage
suitable for valves with rubber actuators (DN15-DN80)

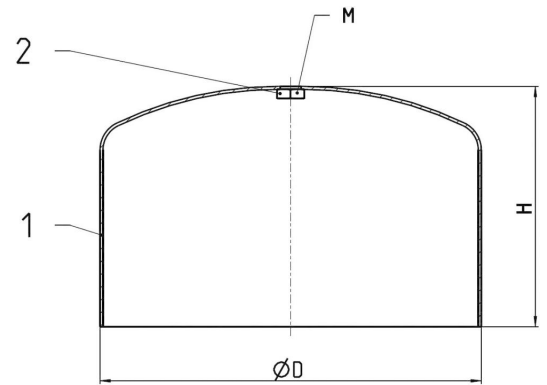
Part No. 55177.0107.0767

suitable for the following types of valves:

- 01353, 01653, 01753, 01853
- 09343, 09443



Materials	DIN EN	ASTM
1 Hood	1.4571	316Ti
2 Nut	1.4301	8



Type 55177	Technical Data	
Part No.	55177.0107.0767	
Thread	M	M12
Height	H	160
Diameter	D	254
Weight	ca. kg	2,5

Dimensions in mm.