

Spare Parts for Valves and Fill Cluster

Type 66394 - Alcatraz-Valve locking



Alcatraz-Valve locking

for protection against unauthorized operating of valves
 valve interlock for DN10 - DN200
 stainless steel 316 electro polished (offshore suitable)
 with position indicator OPEN / CLOSED
 handwheel made of G20Mn5, coated with dacromet

Part No. 66394.0100.0000C

Type SML 1 (Single key Multi turn interLock) interlocked with valve closed (DN10-DN150)

Part No. 66394.0100.0000O

Type SML 1 (Single key Multi turn interLock) interlocked with valve opened (DN10-DN150)

Part No. 66394.0100.0000C-O

Type DML 1 (Double key Multi turn interLock) interlocked with valve closed and opened (DN10-DN150)

Part No. 66394.0300.0000C

Type SML 3 (Single key Multi turn interLock) interlocked with valve closed (DN200)

Part No. 66394.0300.0000O

Type SML 3 (Single key Multi turn interLock) interlocked with valve opened (DN200)

Part No. 66394.0300.0000C-O

Type DML 3 (Double key Multi turn interLock) interlocked with valve closed and opened (DN200)

Part No. 66322.0002.0000

Control key for locking device

Part No. 66322.0003.0000

Master key for locking device

Part No. 66322.0004.2000

Key box for two keys

Part No. 66322.0004.3000

Key box for three keys

Part No. 66322.0004.4000

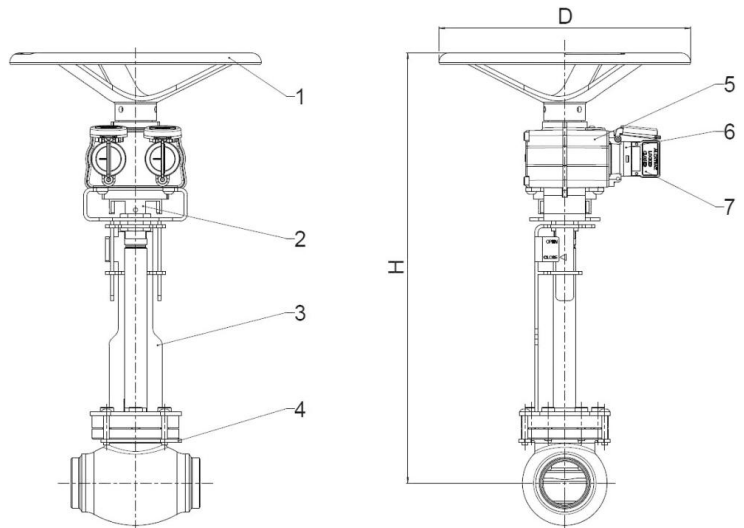
Key box for four keys

Part No. 66322.0005.1000

Loose Toolset



Materials	DIN EN	ASTM
1 Handwheel	1.6220	LCC
2 Stem adapter	1.4401	316
3 Mounting	1.4401	316
4 Fixation	1.4401	316
5 Multiturn main unit	1.4401 / 1.4408	316 / CF8M
6 Lock incl. flap	1.4401 / 1.4408	316 / CF8M
7 Key	1.4401 / 1.4408	316 / CF8M



Type 66394	Technical Data						
Part No.	66394.	.0100.X	.0100.X	.0100.X	.0100.X	.0100.X	.0300.X
Nominal size	DN	10 - 50	65	80	100	150	200
Locking device	Type	SML1/DML1	SML1/DML1	SML1/DML1	SML1/DML1	SML1/DML1	SML3/DML3
Height	H	399/499	402/502	456/506	522	578	677
Diameter	D	150	200	250	300	400	635
Weight	ca. kg	5.3	5.3	5.3	5.3	5.3	9.4

Dimensions in mm.