

Needle Valves

Type 04010



Needle Valves, PN100

Brass body and topwork
with needle cone

Part No. 04010.X.0000

Female thread connection (G) acc. to ISO 228/1



Applications:

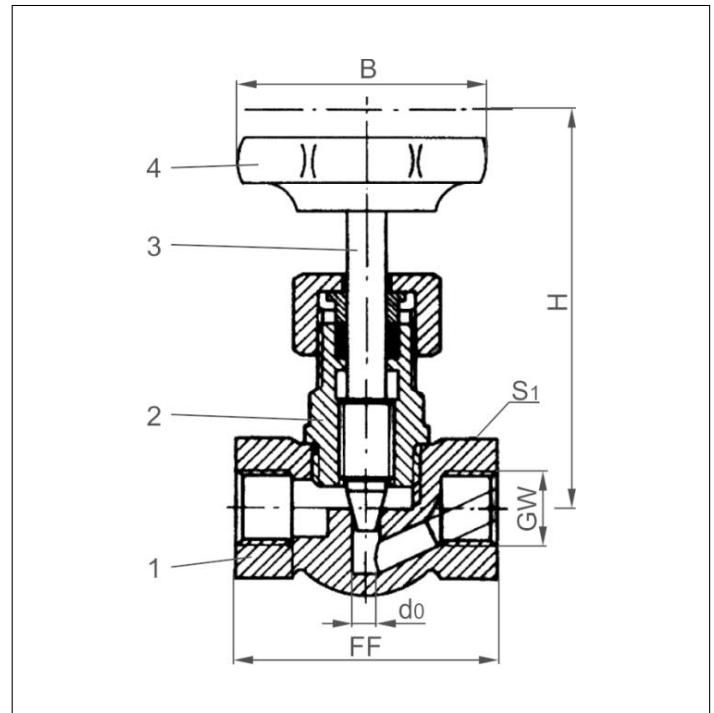
Suitable for non-toxic, non-inflammable fluids, gases and vapours.

The laws, regulations and standards are to observe for the range of application.

Working temperatures: -10°C / +14°F (263K) up to +100°C / +212°F (373K)

| Materials | DIN EN | ASTM |
|-------------|---------|------------------|
| 1 Body | CW614N | B 249 UNS C38500 |
| 2 Headpiece | CW612N | B 283 UNS C37700 |
| 3 Stem | CW612N | B 283 UNS C37700 |
| 4 Handwheel | Plastic | |

Essential: When ordering or requesting an offer please indicate flow medium, working pressure and working temperature.



| Type 04010 | Technical data | | | | | | |
|--------------------------|-------------------|------|------|------|------|------|-------|
| Nominal size | GW | 1/4 | 3/8 | 1/2 | 3/4 | 1 | 1-1/4 |
| Dimension code | .X. | 0200 | 0300 | 0400 | 0600 | 1000 | 1200 |
| Face-to-face dimension | FF | 50 | 50 | 50 | 67 | 75 | 110 |
| Height | H | 80 | 80 | 80 | 90 | 95 | 105 |
| Orifice | d ₀ | 5.0 | 6.0 | 6.5 | 9.0 | 11.0 | 13.0 |
| Handwheel-Ø | B | 50 | 50 | 65 | 65 | 65 | 90 |
| Wrench size across flats | S ₁ | 22 | 22 | 25 | 32 | 40 | 54 |
| Weight | ca. kg | 0.30 | 0.30 | 0.35 | 0.55 | 0.75 | 1.80 |
| Kvs-Value | m ³ /h | 0.4 | 0.6 | 0.6 | 1.0 | 1.6 | 3.0 |
| Cv-Value | gal/min | 0.5 | 0.7 | 0.7 | 1.1 | 1.8 | 3.5 |

Dimensions in mm.