

Control Valves

Type 04041



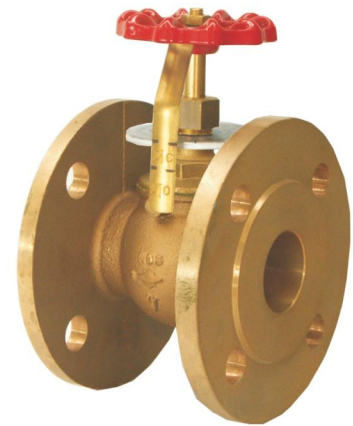
Control Valves, PN16

Control characteristic: linear

Bronze body, screwed topwork in brass
with opening indicator

Part No. 04041.X.0160

Flanged connection acc. to DIN EN 1092-3 PN16



Applications:

Suitable for non-toxic, non-inflammable fluids, gases and vapours.

The laws, regulations and standards are to observe for the range of application.

Working temperatures and pressures:

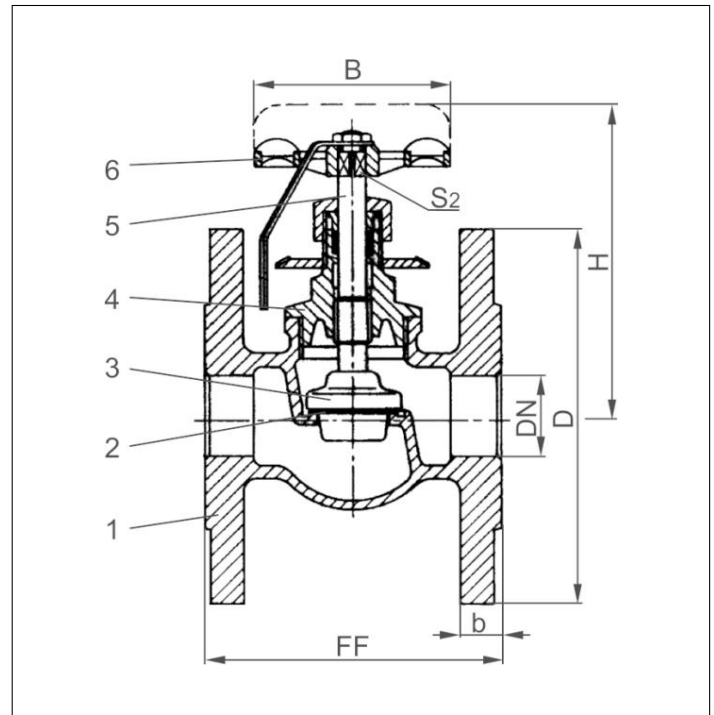
up to max. 16.0 bar: -10°C / +14°F (263K) up to +80°C / +176°F (353K)

up to max. 10.0 bar: -10°C / +14°F (263K) up to +120°C / +248°F (393K)

up to max. 6.0 bar: -10°C / +14 (263K) up to +160°C / +320°F (433K)

Materials	DIN EN	ASTM
1 Body	CC491K	B 62 UNS C83600
2 Valve seal	PTFE	
3 Control disc	CW614N	B 283 UNS C38500
4 Headpiece	CW614N	B 283 UNS C38500
5 Stem	CW614N	B 283 UNS C38500
6 Handwheel	Aluminium - diecasting	

Essential: When ordering or requesting an offer please indicate flow medium, working pressure and working temperature.



Type 04041	Technical data						
Nominal size	DN	15	20	25	32	40	50
Dimension code	.X.	0150	0200	0250	0320	0400	0500
Face-to-face dimension	FF	65	80	90	95	110	125
Height	H	85	95	105	120	130	145
Flange diameter	D	95	105	115	140	150	165
Width of flange	b	10	12	12	14	14	16
Handwheel-Ø	B	50	60	70	80	90	110
Wrench size across flats	S ₂	5	6	7	8	9	9
Weight	ca. kg	1,4	2,0	2,6	3,9	4,5	6,6
Kvs-Value	m ³ /h	2,0	4,0	6,0	12,0	16,0	25,0

Dimensions in mm.