

Overflow Valves

Type 06190



Overflow Valve made of stainless steel,
not type tested
FDA conformity

with FPM valve seal, open bonnet,
free discharge with lifting device
Inlet: male thread type G (BSPP) acc. to ISO 228/1

Part No. 06190.0600.0000



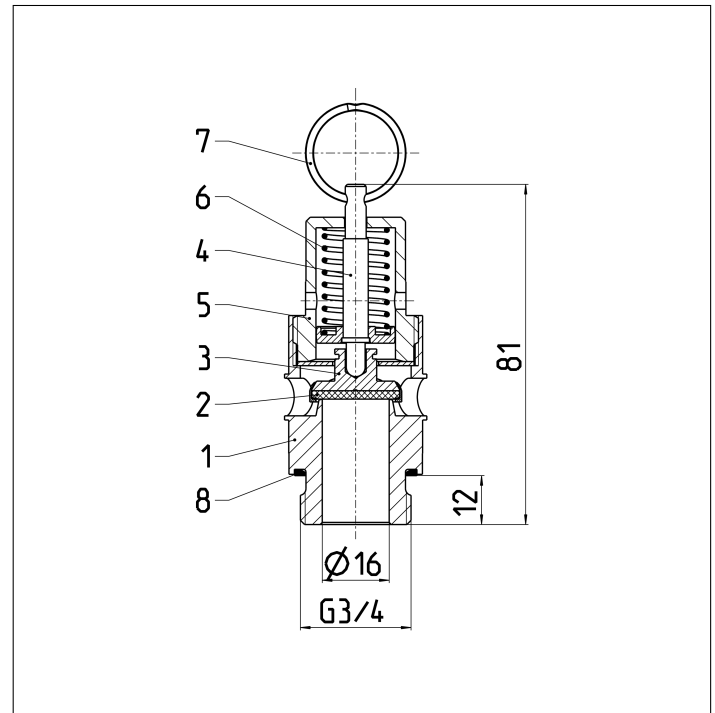
Applications:

Provided as overflow valve for protection against excessive pressure in pipe systems and pressure vessels, which are not subject to approval.

Working temperature with FPM sealing: -20°C / -4°F (253K) up to +160°C / +320°F / (433K)

Materials	DIN EN	ASTM
1 Body	1.4301	SS304
2 Cone seal	FPM (GLT)	
3 Disc	1.4404	SS316L
4 Stem	1.4301	SS304
5 Bonnet	1.4301	SS304
6 Spring	1.4571	SS316L
7 Pull ring	1.4401	SS316
8 Seal	EPDM	

Not to use as equipment with safety function acc. to Pressure Equipment Directive 2014/68/EU (PED) (CE marking only from size 1-1/4).



Type 06190	Technical data	
Nominal size	GW	3/4
Orifice	d ₀	16
Set pressure range	bar	0,5
Height	H	69
Length	L ₂	12
Wrench size across flats	S ₁	32
Weight	ca. kg	0,25
Coeff. of discharge	α _w	0,40

Abmessungen in mm.

Overflow Valves

Type 06190



Discharge capacities

Calculation of flow rate acc. to AD2000-Merkblatt A2

Medium:

Air in m³/h at 0°C and 1013.25 mbar

The capacity indicated below is for a fully opened valve.

d_0 - orifice

A_0 - flow area

Set pressure in bar (g)	GW	3/4
	d_0 (mm)	16.0
	A_0 (mm ²)	201
	Medium	Air
0.5		84