

# Safety Valves

## Type 06205

Safety Valves, brass,  
type tested TÜV-SV.1090 S/G

Standard safety valve  
with FPM or PTFE valve seal, open bonnet,  
with discharge holes, with lifting device  
Inlet: male thread type G (BSPP) acc. to ISO 228/1

**Part No. 06205.X.0000 with FPM seal (0.2 up to 35.0 bar)**  
**Part No. 06205.X.0300 with PTFE seal (35.0 up to 43.0 bar)**

Available options - on request only:

- stainless steel spring - material 1.4571
- external parts nickel plated
- stainless steel protection cap for D<sub>07</sub> and D<sub>012</sub> (up to 3.5 bar)
- EPDM seal up to +150°C / +302°F (423K)

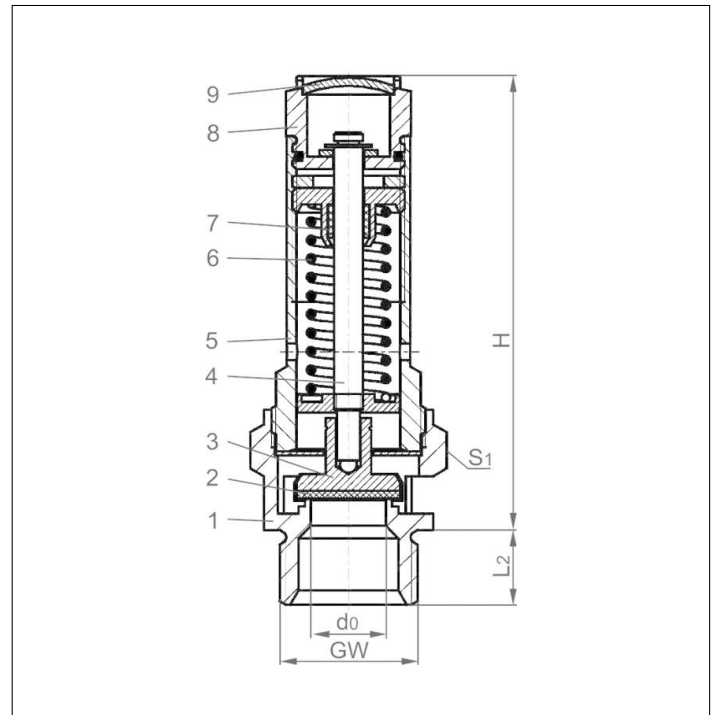
### Applications:

Provided as safety device for protection against excessive pressure in stationary and moveable gas cylinders and pressure vessels. Approved for air and similar gases.

Working temperature: -20°C / -4°F (253K) up to +160°C / +320°F (433K), size d<sub>07</sub> suitable for horizontal installation



Materials	DIN EN	ASME/ASTM
1 Body	CW614N	B 249 UNS C38500
2 Valve seal	FPM (Viton)	
3 Disc	CW614N	B 249 UNS C38500
4 Stem	CW614N	B 249 UNS C38500
5 Bonnet	CW614N	B 249 UNS C38500
6 Spring	1.1200	A 227
7 Stem guide	PTFE	
8 Lifting device	CW614N	B 249 UNS C38500
9 Closing cap	CW507L	B 36 UNS C26800



Type 06205	Technical data							
Nominal size	GW	1/4	3/8	1/2	1/2	3/4	1	1-1/4
Orifice	d <sub>0</sub>	7	7	7	12	15	18	20
Dimension code	.X.	0200	0300	0704	0400	0600	1000	1200
Set pressure range	bar	0.4-43	0.4-43	0.4-43	0.2-22	0.2-16	0.2-18	0.2-16
Height	H	60	60	67	78	92	110	125
Length	L <sub>2</sub>	10	10	12	12	15	18	20
Wrench size across flats	S <sub>1</sub>	21	21	24	27	32	41	48
Weight	ca. kg	0.07	0.07	0.17	0.17	0.27	0.48	0.75
Coeff. of discharge from 3.0 bar	α <sub>w</sub>	0.60	0.60	0.60	0.47	0.63	0.63	0.63

Dimensions in mm.

# Safety Valves

## Type 06205



### Discharge capacities

Calculation of flow rate acc. to AD2000-Merkblatt A2

Medium:

**Air** in m<sup>3</sup>/h at 0°C and 1013.25 mbar

**The capacity indicated below is for a fully opened valve.**

d<sub>0</sub> - orifice

A<sub>0</sub> - flow area

Set pressure in bar (g)	GW	1/4, 3/8 & 1/2	1/2	3/4	1	1-1/4
	d <sub>0</sub> (mm)	7.0	12.0	15.0	18.0	20.0
A <sub>0</sub> (mm <sup>2</sup> )	38.48	113.1	176.7	254.5	314.2	
Medium	<b>Air</b>					
<b>0.2</b>		-	30	60	87	107
<b>0.4</b>		19	42	85	122	151
<b>0.6</b>		24	52	105	151	186
<b>0.8</b>		28	61	124	179	221
<b>1.0</b>		32	70	142	205	253
<b>2.0</b>		51	114	240	345	426
<b>3.0</b>		68	157	328	472	583
<b>4.0</b>		85	196	411	592	731
<b>5.0</b>		103	237	496	714	882
<b>6.0</b>		120	277	580	835	1031
<b>7.0</b>		138	317	664	956	1180
<b>8.0</b>		155	358	750	1080	1333
<b>9.0</b>		173	398	834	1201	1482
<b>10.0</b>		191	439	920	1324	1635
<b>11.0</b>		206	475	994	1432	1768
<b>12.0</b>		226	519	1088	1567	1934
<b>14.0</b>		261	600	1256	1809	2234
<b>16.0</b>		296	680	1425	2052	2533
<b>18.0</b>		330	761	-	2294	-
<b>20.0</b>		369	849	-	-	-
<b>22.0</b>		404	930	-	-	-
<b>25.0</b>		457	-	-	-	-
<b>27.0</b>		492	-	-	-	-
<b>30.0</b>		550	-	-	-	-
<b>32.0</b>		586	-	-	-	-
<b>34.0</b>		621	-	-	-	-
<b>36.0</b>		657	-	-	-	-
<b>38.0</b>		693	-	-	-	-
<b>40.0</b>		735	-	-	-	-
<b>42.0</b>		770	-	-	-	-
<b>43.0</b>		788	-	-	-	-