

Safety Valves

Type 06315

HEROSE



Safety Valves, angle type, chromium steel, type tested, TÜV-SV.980. S/G/L

Standard safety valve

metal to metal seated, closed bonnet

Inlet: male thread type G (BSPP) acc. to ISO 228/1

Outlet: female thread type G (BSPP) acc. to ISO 228/1

Part No. 06315.X.N000 (0.1 - 93.0 bar)

Part No. 06315.X.L000 (93.0 - 180.0 bar)

with lifting device - head A

Part No. 06315.X.N020 (0.1 - 93.0 bar)

Part No. 06315.X.L020 (93.0 - 180.0 bar)

with gastight cap - head C

Available options - on request only:

- Threads NPT acc. to ANSI B 1.20.1
- Disc with soft sealing (NBR, CR, EPDM, FKM, FFKM, PCTFE, PTFE-FDA)

Applications:

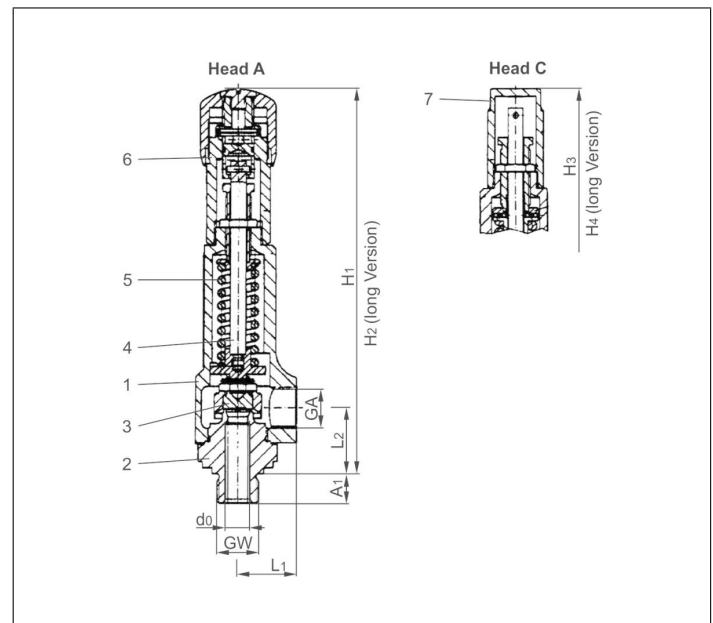
Provided as safety device for protection against excessive pressure in pressure vessels. Approved for gases, vapours and fluids.

Working temperature (metal to metal seated): -10°C / +14°F (263K) up to +220°C / +428°F (493K)

Working temperatures for discs with soft seals on request



Materials	DIN EN	ASME/ASTM
1 Outlet body	1.4104	A 276 Grade 430F
2 Inlet body	1.4104	A 276 Grade 430F
3 Disc	1.4122	no reference
4 Stem	1.4021	A 276 Grade 420
5 Spring	1.4310	A 313 Grade 301
6 Lifting device	1.4104	A 276 Grade 430F
7 Cap	1.0718	A 108



Technical data	Type 06315.X.N000/N020		Type 06315.X.L000/L020		
	GW	1/2	3/4	1/2	3/4
Nominal size	GW	1/2	3/4	1/2	3/4
Orifice	d ₀	10	10	10	10
Dimension code	.X.	1004	1006	1004	1006
Set pressure range	bar	0.1-93	0.1-93	93-180	93-180
Outlet	GA	1/2	1/2	1/2	1/2
Height	H ₁	195	195	-	-
Height	H ₂	-	-	216	216
Height	H ₃	180	180	-	-
Height	H ₄	-	-	191	191
Length	L ₁	30	30	30	30
Length	L ₂	33	33	33	33
Length	A ₁	15	16	15	16
Weight	ca. kg	1.2	1.2	1.4	1.4
Coeff. of discharge gases, vapours	α _w	0.50	0.50	0.50	0.50
Coeff. of discharge fluids	α _w	0.35	0.35	0.35	0.35

Dimensions in mm.

Safety Valves

Type 06315



Discharge capacities

Calculation of flow rate acc. to AD2000-Merkblatt A2

Medium:

A = Saturated steam in kg/h

B = Air in m³/h at 0°C and 1013.25 mbar

C = Water in kg/h at 20°C

The capacity indicated below is for a fully opened valve.

d_0 - orifice

A_0 - flow area

Set pressure in bar (g)	GW	1/2 & 3/4		
	d_0 (mm)	10.0		
	A_0 (mm ²)	78.5		
	Medium	A	B	C
0.1		12	14	630
0.5		29	34	1080
1.0		43	51	1470
2.0		70	84	2070
3.0		94	115	2540
4.0		118	145	2930
5.0		141	174	3280
6.0		164	204	3590
8.0		209	262	4150
10.0		255	321	4640
15.0		369	468	5680
20.0		483	615	6560
25.0		596	762	7330
30.0		712	909	8030
40.0		943	1204	9270
50.0		1181	1498	10400
60.0		1421	1792	11400
70.0		1670	2086	12300
80.0		1921	2380	13100
100.0		2451	2969	14700
150.0		4044	4439	18000
180.0		-	5322	19700