

Safety Valves

Type 06395



Safety Valves, angle type, bronze, type tested TÜV-SV.910. S/G

Standard safety valve, open bonnet, with lifting device and enlarged outlet

Outlet: female thread type G (BSPP) acc. to ISO 228/1

Part No. 06395.X.2080 (Inlet: male thread type G (BSPP) acc. to ISO 228/1)

Part No. 06395.X.3080 (Inlet: male thread type R (BSPT) acc. to ISO 7/1)

metal to metal seated for saturated steam, air and similar gases

Working temperature: -50°C / -58°F (223K) up to +225°C / +437°F (498K)

Part No. 06395.X.2580 (Inlet: male thread type G (BSPP) acc. to ISO 228/1)

Part No. 06395.X.3580 (Inlet: male thread type R (BSPT) acc. to ISO 7/1)

with PTFE/carbon filled valve seal for saturated steam, air and similar gases

Working temperature: -50°C / -58°F (223K) up to +185°C / +365°F (458K)

Part No. 06395.X.2680 (Inlet: male thread type G (BSPP) acc. to ISO 228/1)

Part No. 06395.X.3680 (Inlet: male thread type R (BSPT) acc. to ISO 7/1)

with EPDM valve seal for saturated steam, air and similar gases

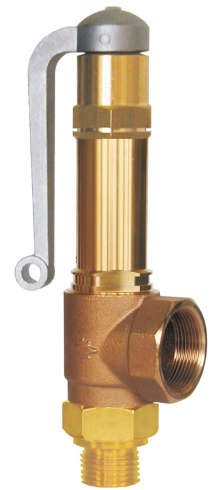
Working temperature: -40°C / -40°F (233K) up to +150°C / +302°F (423K)

Available options - on request only:

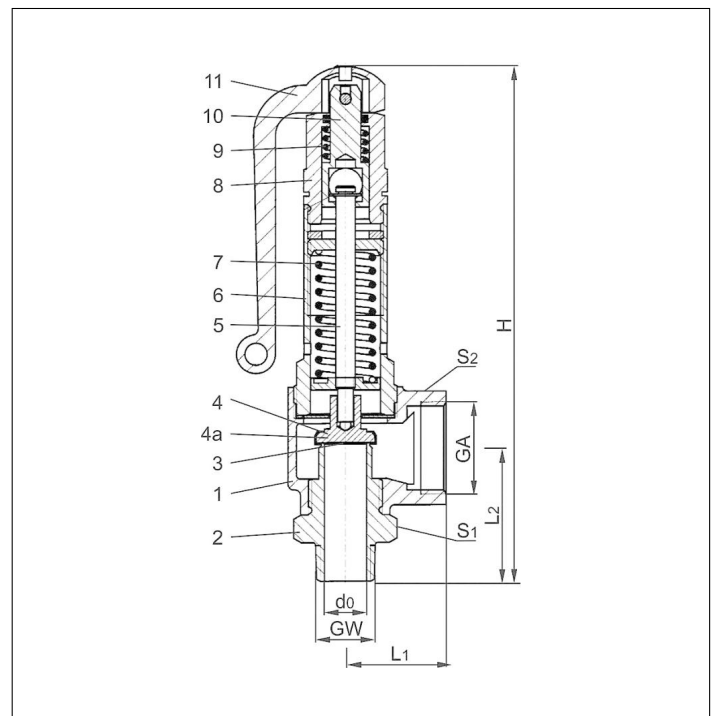
· stainless steel inlet body - material 1.4571 · external parts nickel plated

Applications:

Provided as safety device for protection against excessive pressure in pressure vessels and steam boilers.



Materials	DIN EN	ASME/ASTM
1 Body	CC491K	B 62 UNS C83600
2 Inlet body	CW614N	B 111 UNS C28000
3 Valve seal	PTFE/Carbon filled or EPDM	
4 Disc metal seated	1.4541	A 276 Grade 321
4a Disc soft seated	CW614N	B 249 UNS C38500
5 Stem	CW614N	B 249 UNS C38500
6 Bonnet	CW614N	B 249 UNS C38500
7 Spring	1.4571	A 313 Grade 316Ti
8 Lifting cap	CW614N	B 249 UNS C38500
9 Lifting spring	1.4571	A 313 Grade 316Ti
10 Lifting stem	CW614N	B 249 UNS C38500
11 Lever	1.4408	A 351 CF8M



Type 06395	Technical data				
Nominal size	GW	1/2	3/4	1	1-1/4
Orifice	d ₀	15	18	23	28
Dimension code	.X.	0400	0600	1000	1200
Set pressure range metal seated	bar	0.5-25	0.5-25	0.5-25	0.5-12
Set pressure range PTFE seal	bar	0.5-25	0.5-25	0.5-25	0.5-12
Set pressure range EPDM seal	bar	0.5-3	0.5-7	0.5-4.6	0.5-6
Outlet	GA	1	1-1/4	1-1/2	2
Height	H	187	209	256	284
Length	L ₁	36	50	48	58
Length	L ₂	48	59	69	82
Wrench size across flats	S ₁	32	41	50	55
Wrench size across flats	S ₂	41	50	58	70
Weight	ca. kg	0.955	1.5	2.5	3.85
Coeff. of discharge from 3.0 bar	α _w	0.64	0.58	0.57	0.66

Dimensions in mm.

Safety Valves

Type 06395



Discharge capacities

Calculation of flow rate acc. to AD2000-Merkblatt A2

Medium:

Air in m³/h at 0°C and 1013.25 mbar

Saturated steam in kg/h

The capacity indicated below is for a fully opened valve.

d_0 - orifice

A_0 - flow area

Set pressure in bar (g)	GW	1/2	3/4	1	1-1/4	1/2	3/4	1	1-1/4
	d_0 (mm)	15.0	18.0	23.0	28.0	15.0	18.0	23.0	28.0
	A_0 (mm ²)	176.7	254.5	415.5	615.5	176.7	254.5	415.5	615.5
Medium	Air					Saturated steam			
0.5		93	131	205	336	77	109	171	281
1.0		142	198	317	523	113	156	251	414
2.0		236	317	509	863	186	250	400	678
3.0		333	435	697	1197	260	339	544	934
4.0		418	545	875	1502	325	424	680	1166
5.0		504	658	1055	1811	389	507	814	1397
6.0		589	769	1233	2117	453	591	948	1626
7.0		674	880	1412	2422	516	673	1080	1854
8.0		762	994	1595	2737	579	756	1213	2081
9.0		847	1105	1773	3043	642	838	1344	2307
10.0		934	1219	1956	3357	705	920	1476	2532
12.0		1105	1442	2314	3972	830	1083	1737	2981
14.0		1276	1666	2673	-	954	1245	1998	-
16.0		1447	1889	3031	-	1078	1407	2258	-
18.0		1619	2112	3389	-	1203	1570	2518	-
20.0		1807	2358	3783	-	1327	1732	2779	-
22.0		1979	2583	4145	-	1452	1895	3040	-
24.0		2152	2809	4506	-	1577	2058	3302	-
25.0		2238	2921	4687	-	1639	2139	3433	-