

Safety Valves

Type 06C02



Safety Valves, brass or stainless steel,
type tested TÜV-SV.1090 S/G

Standard safety valve
with FPM valve seal, open bonnet,
free discharge with lifting device
Inlet: male thread type G (BSPP) acc. to ISO 228/1

Part No. 06C02.A001.X - brass

Part No. 06C02.A002.X - stainless steel

Available options - on request only:

- Inlet NPT male thread
- EPDM cone sealing (-20°C / -4°F up to +150°C / 320°F)



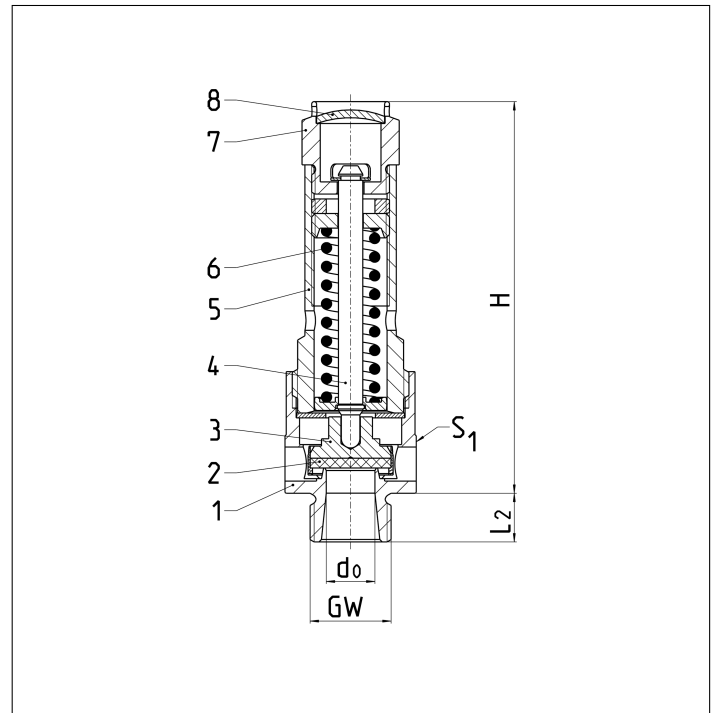
Applications:

Provided as safety device for protection against excessive pressure in stationary and moveable gas cylinders and pressure vessels. Approved for air and similar gases.

Working temperature: -20°C / -4°F (253K) up to +160°C / +320°F (433K)

Materials	DIN EN	ASME/ASTM
1 Body	CW614N	B 249 UNS C38500
2 Valve seal	FPM (Viton)	
3 Disc	CW614N	B 249 UNS C38500
4 Stem	1.4301	SS304
5 Bonnet	CW614N	B 249 UNS C38500
6 Spring	1.4571/1.1200	SS316L/A 227
7 Lifting device	CW614N	B 249 UNS C38500
8 Closing cap	CW507L	B 36 UNS C26800

Materials	DIN EN	ASME/ASTM
1 Body	1.4404	SS316L
2 Valve seal	FPM (Viton)	
3 Disc	1.4404	SS316L
4 Stem	1.4301	SS304
5 Bonnet	1.4404	SS316L
6 Spring	1.4571/1.1200	SS316L/A 227
7 Lifting device	1.4401	SS316
8 Closing cap	1.4401	SS316



Type 06C02	Technical data									
Nominal size	GW	1/4	3/8	1/2	3/8	1/2	3/4	3/4	1	
Orifice	d ₀	8	8	8	10	10	10	15	18	
Set pressure range	bar	0.2-50	0.2-50	0.2-50	0.2-42	0.2-42	0.2-42	0.2-16	0.2-20	
Height	H	78	78	78	81	81	81	92	110	
Length	L ₂	10	10	12	10	12	15	15	18	
Wrench size across flats	S ₁	21	21	27	27	27	32	32	41	
Weight	ca. kg	0.14	0.15	0.18	0.18	0.20	0.25	0.31	0.53	
Coeff. of discharge from 3.0 bar*	α _w	0.70	0.70	0.70	0.61	0.61	0.61	0.60	0.60	

Dimensions in mm. * Below 3 bar the coefficient may be lower. Please pay attention to the capacity chart.

Safety Valves

Type 06C02



Discharge capacities

Calculation of flow rate acc. to AD2000-Merkblatt A2

Medium:

Air in m³/h at 0°C and 1013.25 mbar

The capacity indicated below is for a fully opened valve.

d₀ - orifice

A₀ - flow area

Set pressure in bar (g)	GW	1/4, 3/8 & 1/2	3/8, 1/2, 3/4	3/4	1
	d ₀ (mm)	8,0	10,0	15,0	18,0
	A ₀ (mm ²)	50,24	78,5	176,7	254,5
	Medium	Air			
0.2		20	24	55	83
0.4		28	35	80	120
0.6		35	44	101	151
0.8		42	51	120	179
1.0		48	59	137	205
2.0		76	98	228	334
3.0		104	141	312	450
4.0		130	177	392	564
5.0		157	213	472	680
6.0		183	250	552	795
7.0		210	286	632	910
8.0		237	323	714	1028
9.0		263	359	794	1143
10.0		291	396	876	1261
12.0		344	468	1036	1492
14.0		397	541	1197	1723
16.0		450	613	1357	1954
18.0		504	686	-	2185
20.0		562	765	-	2439
22.0		616	838	-	-
24.0		670	912	-	-
26.0		723	985	-	-
28.0		777	1058	-	-
30.0		839	1142	-	-
32.0		893	1216	-	-
34.0		947	1289	-	-
36.0		1001	1363	-	-
38.0		1056	1437	-	-
40.0		1119	1524	-	-
42.0		1174	1599	-	-
45.0		1256	-	-	-
50.0		1405	-	-	-