

# Pressure reducing Valves

## Type 08015



### Pressure Reducing Valves

Bronze body, with balanced seat,  
disc with NBR seal, pressure gauge connection G1/4,  
inlet pressure: up to max. 40.0 bar  
outlet pressure: 1.0 up to 10.0 bar

### Part No. 08015.X.0000

Female thread connection (R) acc. to ISO 7-1 Rp

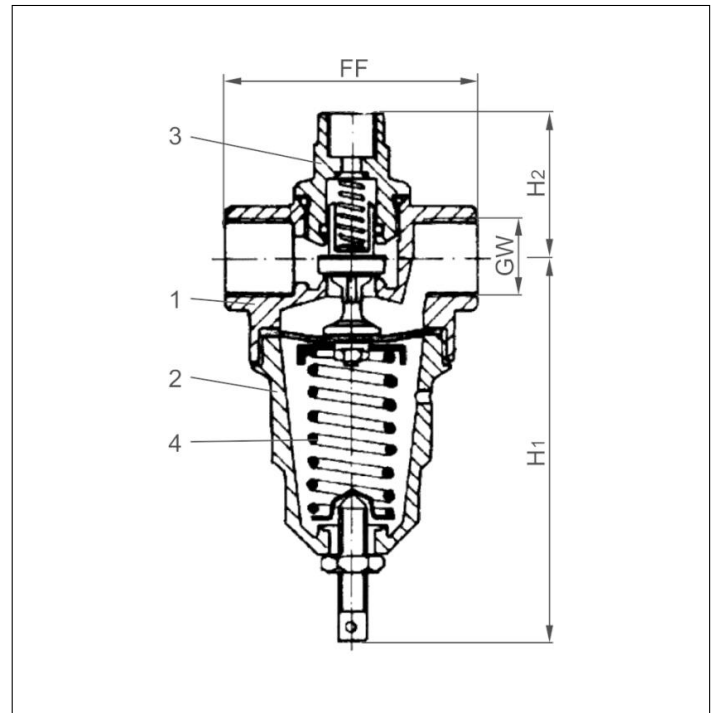


### Applications:

Suitable for compressed air, nitrogen and similar non-inflammable, non-toxic gases.  
Working temperature: -10°C / +14°F (263K) up to +70°C / +158°F (343K)

Materials	DIN EN	ASTM
1 Body	CW612N	B 283 UNS C37770
2 Bonnet	synthetic material	
3 Headpiece	CW612N	B 283 UNS C37770
4 Spring	1.1200	A 227

**Essential:** When ordering or requesting an offer please indicate flow medium, working pressure and working temperature.



Type 08015	Technical data									
Nominal size	GW	1/4	3/8	1/2	3/4	1	1-1/4	1-1/2	2	
Dimension code	.X.	0200	0300	0400	0600	1000	1200	1400	2000	
Face-to-face dimension	FF	50	50	65	80	95	105	115	130	
Height	H <sub>1</sub>	90	90	105	105	150	160	200	210	
Height	H <sub>2</sub>	34	34	36	42	57	57	72	72	
Weight	ca. kg	0.30	0.30	0.45	0.60	1.35	1.80	2.90	3.80	

Dimensions in mm.