

Strainers

Type 08170



Strainer, PN40

Body in cast steel

Y-type pattern, stainless steel strainer screen

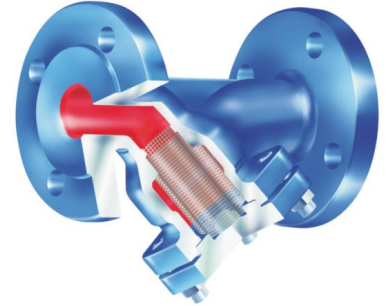
Part No. 08170.X.0000

Flanged connection acc. to DIN EN 1092-1 PN40

face-to-face dimension acc. to DIN EN 558-1, Reihe 1

Available options - on request only:

- screen with 0.25 mm mesh



Applications:

Suitable for non-toxic, non-inflammable fluids, gases and vapours.

The laws, regulations and standards are to observe for the range of application.

Working temperatures and pressures:

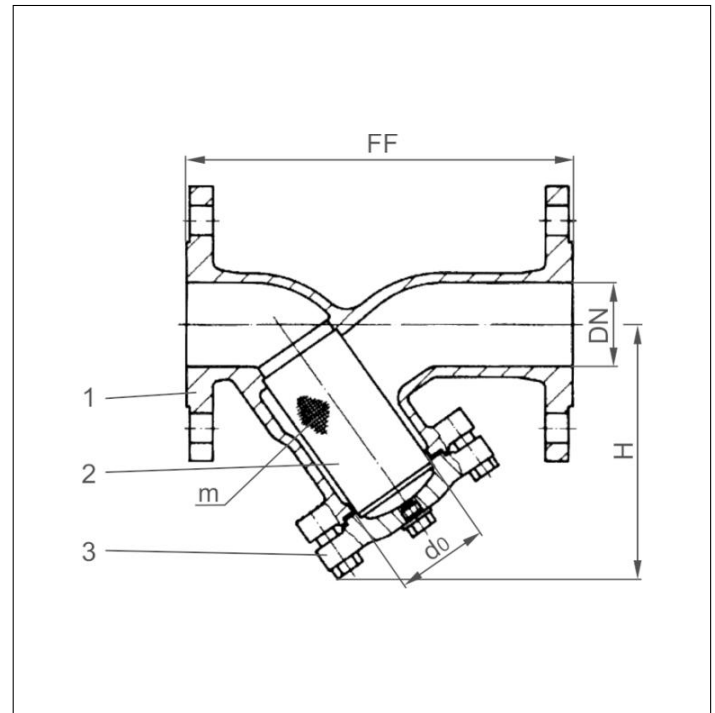
up to max. 40.0 bar: -10°C / +14°F (263K) up to +120°C / +248°F (393K)

up to max. 33.0 bar: -10°C / +14°F (263K) up to +225°C / +437°F (498K)

up to max. 21.0 bar: -10°C / +14°F (263K) up to +400°C / +752°F (673K)

| Materials | DIN EN | ASTM |
|------------------|--------|-----------------|
| 1 Body | 0.0619 | A 216 Grade WCB |
| 2 Screen | 1.4301 | A 276 Grade 304 |
| 3 Cap DN15 - 65 | 1.0460 | A 105 Grade II |
| 3 Cap DN80 - 150 | 1.0425 | no reference |

Essential: When ordering or requesting an offer please indicate flow medium, working pressure and working temperature.



| Type 08170 | Technical data | | | | | | | | | | | |
|------------------------|----------------|------|------|------|------|------|------|------|------|-------|-------|------|
| Nominal size | DN | 15 | 20 | 25 | 32 | 40 | 50 | 65 | 80 | 100 | 125 | 150 |
| Dimension code | .X. | 0150 | 0200 | 0250 | 0320 | 0400 | 0500 | 0650 | 0800 | 1000 | 1250 | 1500 |
| Face-to-face dimension | FF | 130 | 150 | 160 | 180 | 200 | 230 | 290 | 310 | 350 | 400 | 480 |
| Height | H | 90 | 100 | 115 | 125 | 150 | 160 | 180 | 215 | 235 | 275 | 305 |
| Flange diameter | D | 95 | 105 | 115 | 140 | 150 | 165 | 185 | 200 | 235 | 270 | 300 |
| Flow diameter | d ₀ | 23 | 28 | 36 | 42 | 50 | 61.5 | 78.5 | 89.5 | 109.5 | 137.5 | 160 |
| Mesh | m | 1.0 | 1.0 | 1.0 | 1.0 | 1.0 | 1.0 | 1.25 | 1.25 | 1.6 | 1.6 | 1.6 |
| Weight | ca. kg | 4.0 | 5.0 | 6.0 | 8.0 | 10.0 | 13.0 | 19.0 | 24.5 | 35.0 | 51.0 | 71.0 |

Dimensions in mm.